

NOTES:

1. MATERIAL:

HOUSING: THERMOPLASTIC (UL94V-0)

ACTUATOR: THERMOPLASTIC (UL94V-0)

TERMINAL: PHOSPHOR BRONZE

GOLD OR MATTE TIN PLATED

FITTING NAIL: BRASS MATTE TIN PLATED

2. PART NO. SPECIFICATION: 21-020-XXX0X-X

0.5PH H2.0 拉拔上接

NO. OF CONTACT: 004~060

端子电镀:

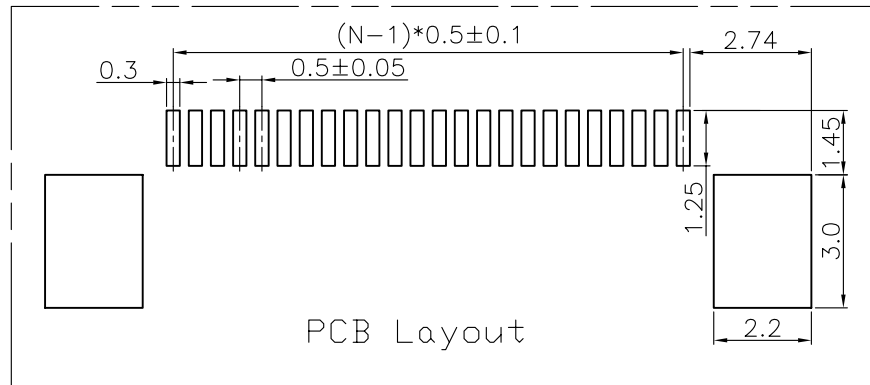
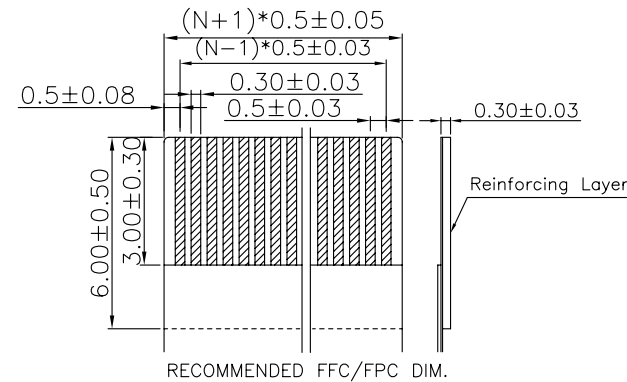
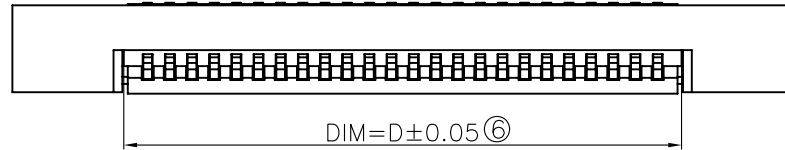
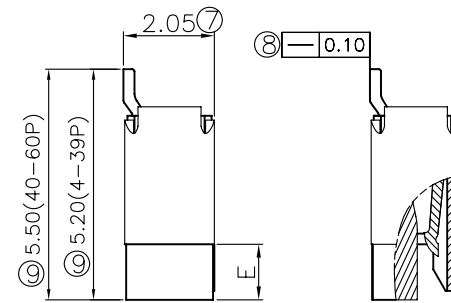
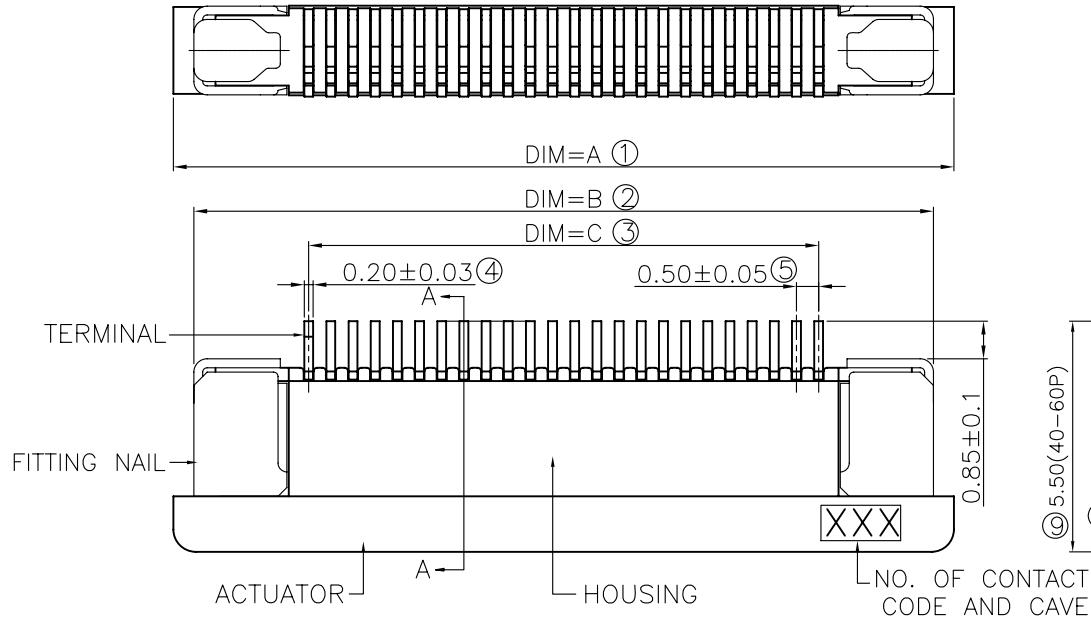
1: MATTE TIN

3: GOLD FLASH

包装方式:

5: 无LOGO 卷装

7: 无LOGO 管装



NO. OF PIN	DIMENSION				
	A	B	C	D	E
4	7.60	6.68	1.50	2.58	
5	8.10	7.18	2.00	3.08	
6	8.60	7.68	2.50	3.58	
7	9.10	8.18	3.00	4.08	
8	9.60	8.68	3.50	4.58	
9	10.10	9.18	4.00	5.08	
10	10.60	9.68	4.50	5.58	
11	11.10	10.18	5.00	6.08	
12	11.60	10.68	5.50	6.58	
13	12.10	11.18	6.00	7.08	
14	12.60	11.68	6.50	7.58	
15	13.10	12.18	7.00	8.08	
16	13.60	12.68	7.50	8.58	
17	14.10	13.18	8.00	9.08	
18	14.60	13.68	8.50	9.58	
19	15.10	14.18	9.00	10.08	
20	15.60	14.68	9.50	10.58	
21	16.10	15.18	10.00	11.08	
22	16.60	15.68	10.50	11.58	1.25
23	17.10	16.18	11.00	12.08	
24	17.60	16.68	11.50	12.58	
25	18.10	17.18	12.00	13.08	
26	18.60	17.68	12.50	13.58	
27	19.10	18.18	13.00	14.08	
28	19.60	18.68	13.50	14.58	
29	20.10	19.18	14.00	15.08	
30	20.60	19.68	14.50	15.58	
31	21.10	20.18	15.00	16.08	
32	21.60	20.68	15.50	16.58	
33	22.10	21.18	16.00	17.08	
34	22.60	21.68	16.50	17.58	
35	23.10	22.18	17.00	18.08	
36	23.60	22.68	17.50	18.58	
37	24.10	23.18	18.00	19.08	
38	24.60	23.68	18.50	19.58	
39	25.10	24.18	19.00	20.08	
40	25.60	24.68	19.50	20.58	
41	26.10	25.18	20.00	21.08	
42	26.60	25.68	20.50	21.58	
43	27.10	26.18	21.00	22.08	
44	27.60	26.68	21.50	22.58	
45	28.10	27.18	22.00	23.08	
46	28.60	27.68	22.50	23.58	
47	29.10	28.18	23.00	24.08	
48	29.60	28.68	23.50	24.58	
49	30.10	29.18	24.00	25.08	
50	30.60	29.68	24.50	25.58	
51	31.10	30.18	25.00	26.08	1.55
52	31.60	30.68	25.50	26.58	
53	32.10	31.18	26.00	27.08	
54	32.60	31.68	26.50	27.58	
55	33.10	32.18	27.00	28.08	
56	33.60	32.68	27.50	28.58	
57	34.10	33.18	28.00	29.08	
58	34.60	33.68	28.50	29.58	
59	35.10	34.18	29.00	30.08	
60	35.60	34.68	29.50	30.58	

宇詮實業有限公司  
Onward Industry Co, Ltd.

				UNLESS OTHERWISE SPECIFIED TOLERANCES ARE: XX ±0.15 XXX ±0.10 XXXX ±0.30 ANG. ±0.30'		APPROVED BY DATE		TITLE	
						CHECKED BY DATE		FPC CONN. 0.5P H2.0 SLIDE TYPE UPPER CONTACT	
						DRAWN BY DATE		DOCUMENT NO	
						DRAWING NO		PAGE 1	
SER	AREA	DESCRIPTION	CHK	DATE	UNIT	SIZE	REV	SHEET	SCALE
					MM	A4	A	1/1	1:1

21-020-XXX0X-X

1/1