

NOTES:

1. MATERIAL:

HOUSING: THERMOPLASTIC (UL94V-0)

ACTUATOR: THERMOPLASTIC (UL94V-0)

TERMINAL: PHOSPHOR BRONZE MATTE TIN/GOLD PLATED

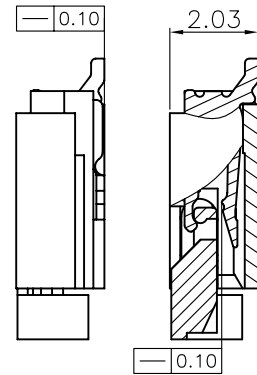
FITTING NAIL: BRASS MATTE TIN PLATED

2. 料号描述: 21-022-XXX0X-5

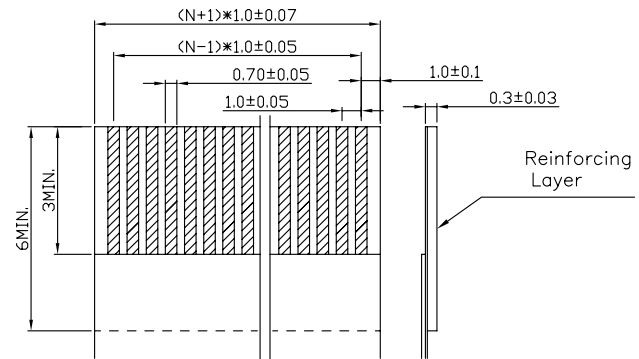
PIN数

端子电镀:

1: MATTE TIN 3: 镀金3u" 4: 镀金G\F



SECTION A-A



RECOMMENDED FFC/FPC DIM.

PIN数	Dimension			
	A	B	C	D
4	8.90	3.00	5.10	6.00
5	9.90	4.00	6.10	7.00
6	10.90	5.00	7.10	8.00
7	11.90	6.00	8.10	9.00
8	12.90	7.00	9.10	10.00
9	13.90	8.00	10.10	11.00
10	14.90	9.00	11.10	12.00
11	15.90	10.00	12.10	13.00
12	16.90	11.00	13.10	14.00
13	17.90	12.00	14.10	15.00
14	18.90	13.00	15.10	16.00
15	19.90	14.00	16.10	17.00
16	20.90	15.00	17.10	18.00
17	21.90	16.00	18.10	19.00
18	22.90	17.00	19.10	20.00
19	23.90	18.00	20.10	21.00
20	24.90	19.00	21.10	22.00
21	25.90	20.00	22.10	23.00
22	26.90	21.00	23.10	24.00
23	27.90	22.00	24.10	25.00
24	28.90	23.00	25.10	26.00
25	29.90	24.00	26.10	27.00
26	30.90	25.00	27.10	28.00
27	31.90	26.00	28.10	29.00
28	32.90	27.00	29.10	30.00
29	33.90	28.00	30.10	31.00

宇詮實業有限公司
Onward Industry Co, Ltd.

SER	AREA	DESCRIPTION	CHK	DATE	UNIT	SIZE
					mm	A4

APPROVED BY	DATE	TITLE		
		FPC CONN. 1.0P H2.0 FLIP TYPE 成品图 (抽PIN)		
CHECKED BY	DATE			
DRAWN BY	DATE	DOCUMENT NO	PAGE	
			1	
DRAWING NO		REV	SHEET	SCALE
21-022-XXX0X-5		A	1/1	1:1