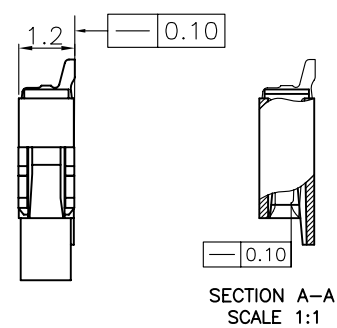


NOTES:

1.MATERIAL:

- HOUSING:THERMOPLASTIC(UL94V-0)
- ACTUATOR:THERMOPLASTIC(UL94V-0)
- TERMINAL:PHOSPHOR BRONZE **Gold or MATTE TIN PLATED**
- FITTING NAIL:BRASS MATTE TIN PLATED
- 2.4-19PIN 0.10MAX;20-29PIN 0.12MAX

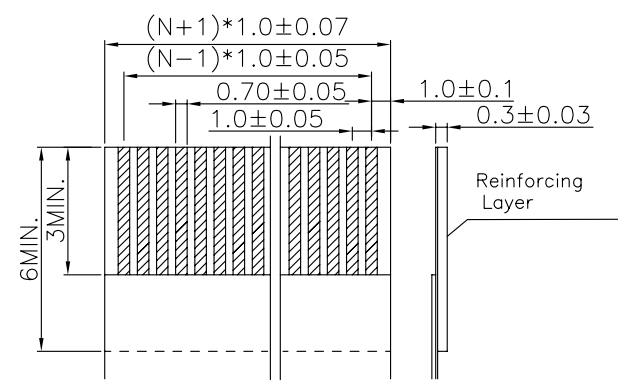
3.料号描述: 21-024-XXX0X-5



PIN数

端子电镀:

- 1: MATTE TIN
- 3: 镀金3u"
- 4: 镀金GAF



RECOMMENDED FFC/FPC DIM.

NO.OF PIN	DIMENSION			
	A	B	C	D
4	10.50	9.30	3.00	5.08
5	11.50	10.30	4.00	6.08
6	12.50	11.30	5.00	7.08
7	13.50	12.30	6.00	8.08
8	14.50	13.30	7.00	9.08
9	15.50	14.30	8.00	10.08
10	16.50	15.30	9.00	11.08
11	17.50	16.30	10.00	12.08
12	18.50	17.30	11.00	13.08
13	19.50	18.30	12.00	14.08
14	20.50	19.30	13.00	15.08
15	21.50	20.30	14.00	16.08
16	22.50	21.30	15.00	17.08
17	23.50	22.30	16.00	18.08
18	24.50	23.30	17.00	19.08
19	25.50	24.30	18.00	20.08
20	26.50	25.30	19.00	21.08
21	27.50	26.30	20.00	22.08
22	28.50	27.30	21.00	23.08
23	29.50	28.30	22.00	24.08
24	30.50	29.30	23.00	25.08
25	31.50	30.30	24.00	26.08
26	32.50	31.30	25.00	27.08
27	33.50	32.30	26.00	28.08
28	34.50	33.30	27.00	29.08
29	35.50	34.30	28.00	30.08

宇詮實業有限公司
Onward Industry Co, Ltd.

						UNLESS OTHERWISE SPECIFIED					
						TOLERANCES ARE					
						.XX	±0.15				
						.XXX	±0.10				
						.XXX					
						ANG.	±0.30'				
SER	AREA	DESCRIPTION	CHK	DATE	UNIT	SIZE					
					MM	A4					

APPROVED BY	DATE	TITLE
CHECKED BY	DATE	FPC CONN. 1.0P H1.2 SLIDE TYPE BOTTOM CONTACT(插PIN)
DRAWN BY	DATE	DOCUMENT NO
		PAGE 1
DRAWING NO	REV	SHEET
21-024-XXX0X-5	A	1/1
		SCALE
		1:1