

NOTES:

1.MATERIAL:

HOUSING:THERMOPLASTIC(UL94V-0)

ACTUATOR:THERMOPLASTIC(UL94V-0)

TERMINAL:PHOSPHOR BRONZE GOLD FLASH/MATTE TIN PLATED

FITTING NAIL:BRASS MATTE TIN PLATED

2.PART NO. SPECIFICATION: 21-026-XXX0X-5

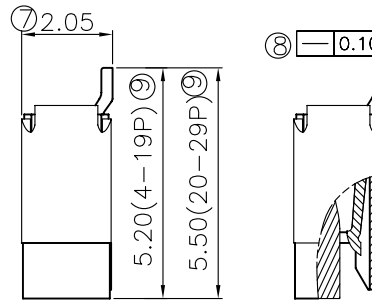
1.0PH H2.0拉拔下接

NO.OF CONTACT:004~029

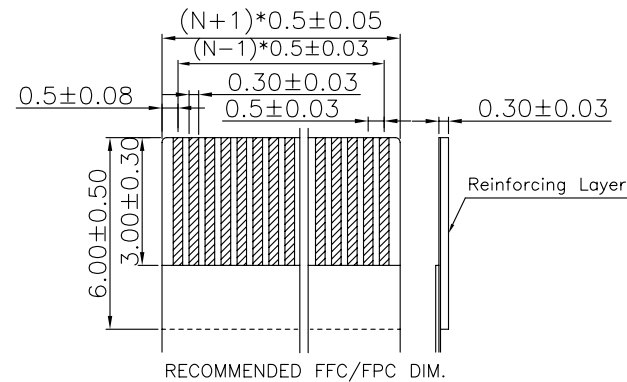
端子电镀:

1: MATTE TIN

3: GOLD FLASH



SECTION A-A



DIMENSION				
NO.OF PIN	A	B	C	D
4	10.10	9.18	3.00	5.08
5	11.10	10.18	4.00	6.08
6	12.10	11.18	5.00	7.08
7	13.10	12.18	6.00	8.08
8	14.10	13.18	7.00	9.08
9	15.10	14.18	8.00	10.08
10	16.10	15.18	9.00	11.08
11	17.10	16.18	10.00	12.08
12	18.10	17.18	11.00	13.08
13	19.10	18.18	12.00	14.08
14	20.10	19.18	13.00	15.08
15	21.10	20.18	14.00	16.08
16	22.10	21.18	15.00	17.08
17	23.10	22.18	16.00	18.08
18	24.10	23.18	17.00	19.08
19	25.10	24.18	18.00	20.08
20	26.10	25.18	19.00	21.08
21	27.10	26.18	20.00	22.08
22	28.10	27.18	21.00	23.08
23	29.10	28.18	22.00	24.08
24	30.10	29.18	23.00	25.08
25	31.10	30.18	24.00	26.08
26	32.10	31.18	25.00	27.08
27	33.10	32.18	26.00	28.08
28	34.10	33.18	27.00	29.08
29	35.10	34.18	28.00	30.08

宇詮實業有限公司
Onward Industry Co., Ltd.

SER	AREA	DESCRIPTION	CHK	DATE

UNLESS OTHERWISE SPECIFIED	APPROVED BY	DATE	TITLE
TOLERANCES ARE	CHECKED BY	DATE	FPC CONN. 1.0P H2.0 SLIDE
.XX ±0.15	DRAWN BY	DATE	TYPE BOTTOM CONTACT (#Pin)
.XXX ±0.10			DOCUMENT NO
.XXXX ±0.05			PAGE 1
ANG. ±0.30'			
UNIT mm	DRAWING NO	REV	SHEET
SIZE A4	21-026-XXX0X-5	A	1/1
			SCALE 1:1