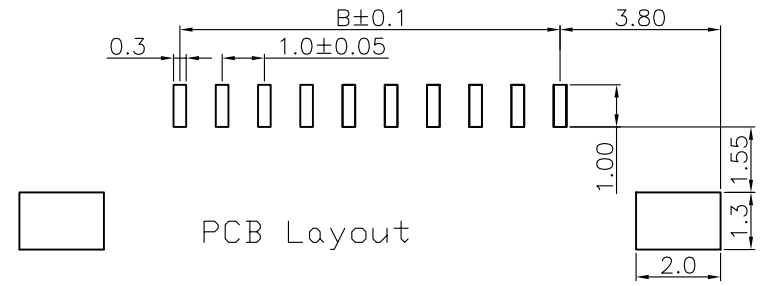
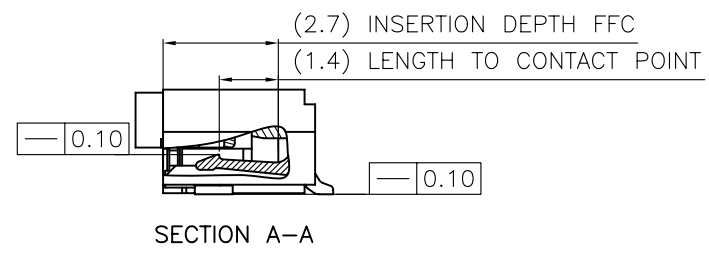
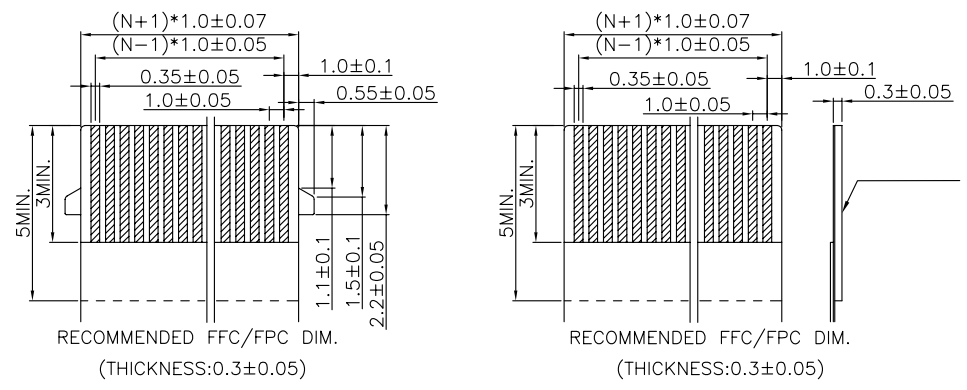
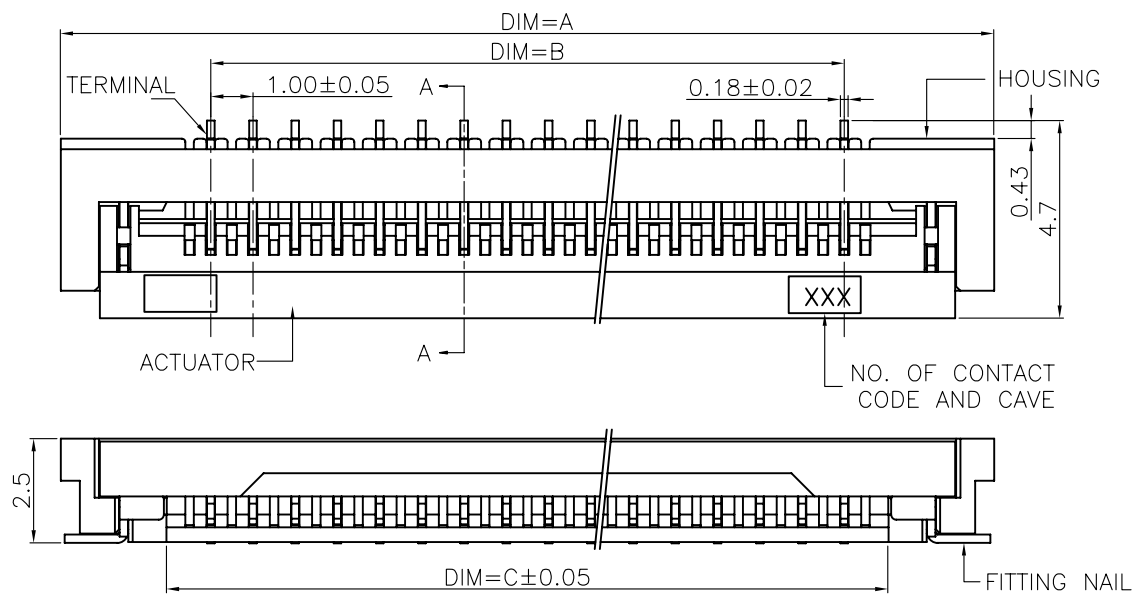


DIMENSION			
NO.OF PIN	A	B	C
4	10.10	3.00	5.08
5	11.10	4.00	6.08
6	12.10	5.00	7.08
7	13.10	6.00	8.08
8	14.10	7.00	9.08
9	15.10	8.00	10.08
10	16.10	9.00	11.08
11	17.10	10.00	12.08
12	18.10	11.00	13.08
13	19.10	12.00	14.08
14	20.10	13.00	15.08
15	21.10	14.00	16.08
16	22.10	15.00	17.08
17	23.10	16.00	18.08
18	24.10	17.00	19.08
19	25.10	18.00	20.08
20	26.10	19.00	21.08
21	27.10	20.00	22.08
22	28.10	21.00	23.08
23	29.10	22.00	24.08
24	30.10	23.00	25.08
25	31.10	24.00	26.08
26	32.10	25.00	27.08
27	33.10	26.00	28.08
28	34.10	27.00	29.08
29	35.10	28.00	30.08
30	36.10	29.00	31.08

NOTES:
 1.MATERIAL:
 HOUSING:THERMOPLASTIC(UL94V-0)
 ACTUATOR:THERMOPLASTIC(UL94V-0)
 TERMINAL:PHOSPHOR BRONZE GOLD PLATED
 FITTING NAIL:BRASS MATTE TIN PLATED
 2.PART NO. SPECIFICATION: 21-028-XXX03-5
 NO.OF CONTACT CODE



SER	AREA	DESCRIPTION	CHK	DATE

宇詮實業有限公司
Onward Industry Co, Ltd.

APPROVED BY	DATE	TITLE
CHECKED BY	DATE	FPC CONN. 1.0P H2.5 FLIP TYPE 成品图
DRAWN BY	DATE	DOCUMENT NO
DRAWING NO		REV
21-028-XXX03-5		A
SIZE	SHEET	SCALE
A4	1/1	1:1