

NOTES:
1.MATERIAL:

HOUSING:THERMOPLASTIC(UL94V-0)
ACTUATOR:THERMOPLASTIC(UL94V-0)
TERMINAL:PHOSPHOR BRONZE MATTE TIN/GOLD PLATED
FITTING NAIL:BRASS MATTE TIN PLATED

2.料号描述: 21-032-XXX0X-X

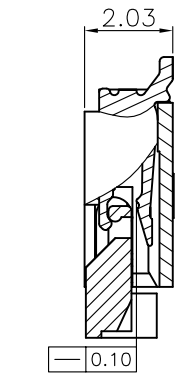
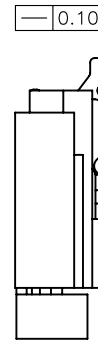
PIN数

端子电镀:

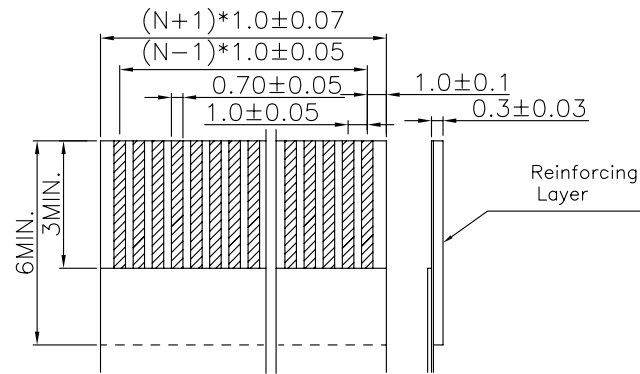
1: MATTE TIN 3: 镀金3u" 4: 镀金G\VF

包装方式:

- 2: 有LOGO 卷装
- 5: 无LOGO 卷装
- 6: 有LOGO 管装
- 7: 无LOGO 管装



SECTION A-A



RECOMMENDED FFC/FPC DIM.

PIN数	DIM=A	DIM=B	DIM=C
4P	8.9	3.00	5.10
5P	9.9	4.0	6.1
6P	10.9	5.0	7.1
7P	11.9	6.0	8.1
8P	12.9	7.0	9.1
9P	13.9	8.0	10.1
10P	14.9	9.0	11.1
11P	15.9	10.0	12.1
12P	16.9	11.0	13.1
13P	17.9	12.0	14.1
14P	18.9	13.0	15.1
15P	19.9	14.0	16.1
16P	20.9	15.0	17.1
17P	21.9	16.0	18.1
18P	22.9	17.0	19.1
19P	23.9	18.0	20.1
20P	24.9	19.0	21.1
21P	25.9	20.0	22.1
22P	26.9	21.0	23.1
23P	27.9	22.0	24.1
24P	28.9	23.0	25.1
25P	29.9	24.0	26.1
26P	30.9	25.0	27.1
27P	31.9	26.0	28.1
28P	32.9	27.0	29.1
29P	33.9	28.0	30.1
30P	34.9	29.0	31.1

宇詮實業有限公司
Onward Industry Co, Ltd.

SER	AREA	DESCRIPTION	CHK	DATE	UNIT	SIZE
					MM	A4

UNLESS OTHERWISE SPECIFIED	APPROVED BY	DATE	TITLE
TOLERANCES ARE	CHECKED BY	DATE	FPC CONN. 1.0P H2.0
.XX ±0.15	DRAWN BY	DATE	FLIP TYPE 成品图
.XXX ±0.10			DOCUMENT NO
.XXX ±0.30'			PAGE 1
ANG. ±0.30'	DRAWING NO.	REV	SHEET
	21-032-XXX0X-X	A	1/1
			SCALE
			1:1