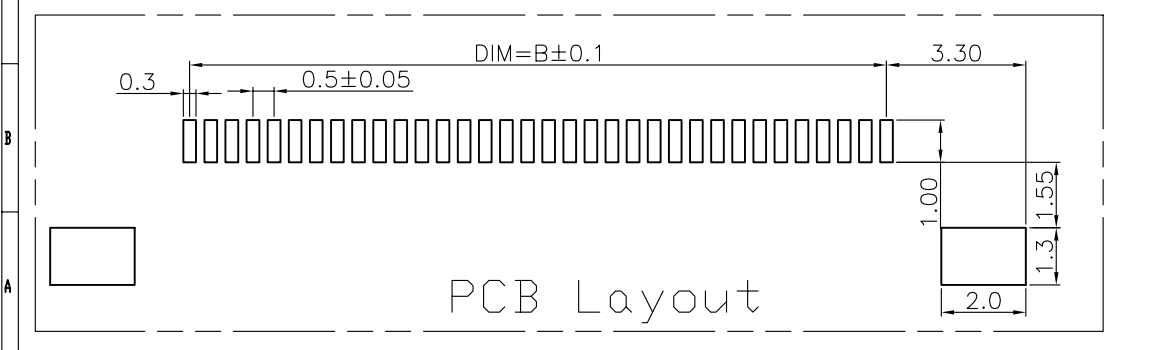
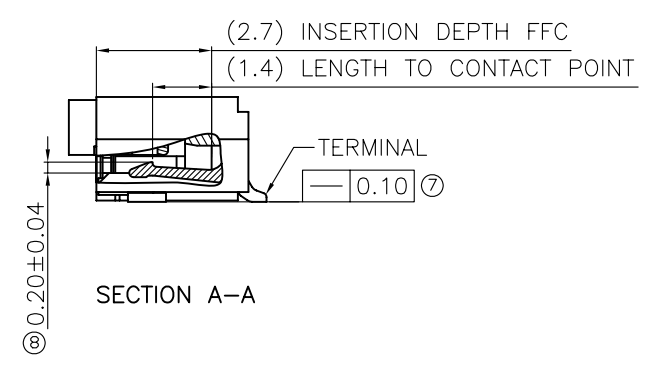
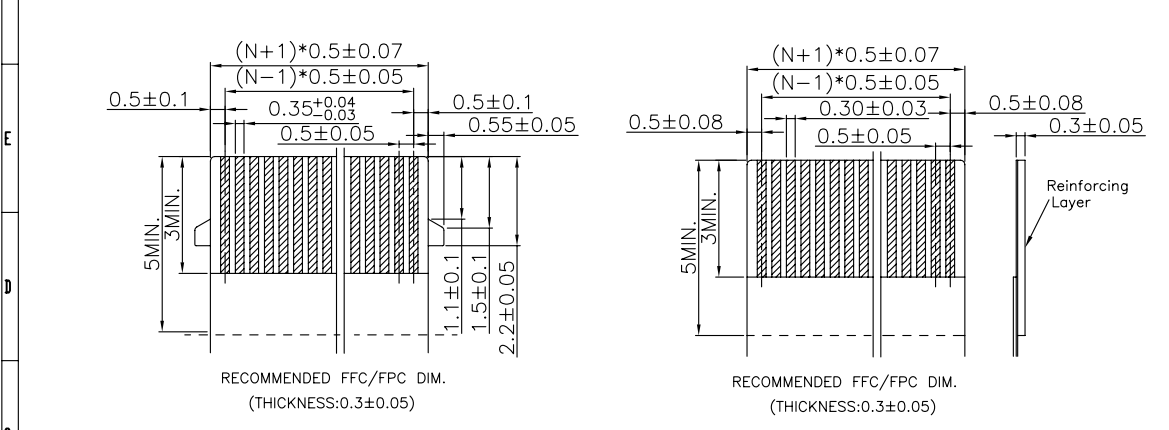


NOTES:  
 1.MATERIAL:  
 HOUSING:THERMOPLASTIC(UL94V-0)  
 ACTUATOR:THERMOPLASTIC(UL94V-0)  
 TERMINAL:PHOSPHOR BRONZE GOLD PLATED  
 FITTING NAIL:BRASS MATTE TIN PLATED

2.PART NO. SPECIFICATION: 21-033-XXX23-5

NO.OF CONTACT CODE



NO.OF PIN	DIMENSION		
	A	B	C
4	7.60	1.50	2.58
5	8.10	2.00	3.08
6	8.60	2.50	3.58
7	9.10	3.00	4.08
8	9.60	3.50	4.58
9	10.10	4.00	5.08
10	10.60	4.50	5.58
11	11.10	5.00	6.08
12	11.60	5.50	6.58
13	12.10	6.00	7.08
14	12.60	6.50	7.58
15	13.10	7.00	8.08
16	13.60	7.50	8.58
17	14.10	8.00	9.08
18	14.60	8.50	9.58
19	15.10	9.00	10.08
20	15.60	9.50	10.58
21	16.10	10.00	11.08
22	16.60	10.50	11.58
23	17.10	11.00	12.08
24	17.60	11.50	12.58
25	18.10	12.00	13.08
26	18.60	12.50	13.58
27	19.10	13.00	14.08
28	19.60	13.50	14.58
29	20.10	14.00	15.08
30	20.60	14.50	15.58
31	21.10	15.00	16.08
32	21.60	15.50	16.58
33	22.10	16.00	17.08
34	22.60	16.50	17.58
35	23.10	17.00	18.08
36	23.60	17.50	18.58
37	24.10	18.00	19.08
38	24.60	18.50	19.58
39	25.10	19.00	20.08
40	25.60	19.50	20.58
41	26.10	20.00	21.08
42	26.60	20.50	21.58
43	27.10	21.00	22.08
44	27.60	21.50	22.58
45	28.10	22.00	23.08
46	28.60	22.50	23.58
47	29.10	23.00	24.08
48	29.60	23.50	24.58
49	30.10	24.00	25.08
50	30.60	24.50	25.58
51	31.10	25.00	26.08
52	31.60	25.50	26.58
53	32.10	26.00	27.08
54	32.60	26.50	27.58
55	33.10	27.00	28.08
56	33.60	27.50	28.58
57	34.10	28.00	29.08
58	34.60	28.50	29.58
59	35.10	29.00	30.08
60	35.60	29.50	30.58
61	36.10	30.00	31.08
62	36.60	30.50	31.58
63	37.10	31.00	32.08
64	37.60	31.50	32.58
65	38.10	32.00	33.08
66	38.60	32.50	33.58
67	39.10	33.00	34.08
68	39.60	33.50	34.58
69	40.10	34.00	35.08
70	40.60	34.50	35.58
71	41.10	35.00	36.08
72	41.60	35.50	36.58
73	42.10	36.00	37.08
74	42.60	36.50	37.58
75	43.10	37.00	38.08
76	43.60	37.50	38.58
77	44.10	38.00	39.08
78	44.60	38.50	39.58
79	45.10	39.00	40.08
80	45.60	39.50	40.58

SER	AREA	DESCRIPTION	CHK	DATE

宇詮實業有限公司  
 Onward Industry Co, Ltd.

APPROVED BY \_\_\_\_\_ DATE \_\_\_\_\_ TITLE  
 FPC CONN. 0.5P H2.5  
 FLIP TYPE 成品图

CHECKED BY \_\_\_\_\_ DATE \_\_\_\_\_

DRAWN BY \_\_\_\_\_ DATE \_\_\_\_\_ DOCUMENT NO \_\_\_\_\_ PAGE 1

UNLESS OTHERWISE SPECIFIED  
 TOLERANCES ARE  
 .XX ±0.15  
 .XXX ±0.10  
 .XXXX  
 ANG. ±0.30'

UNIT: mm SIZE: A4

DRAWING NO: 21-033-XXX23-5 REV: A SHEET: 1/1 SCALE: 1:1