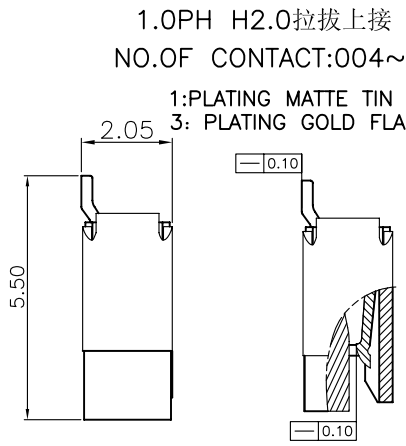
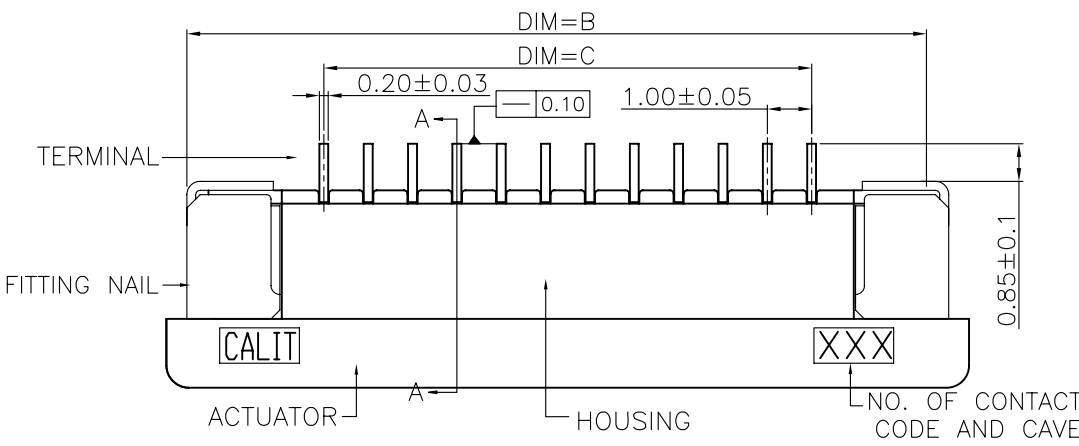
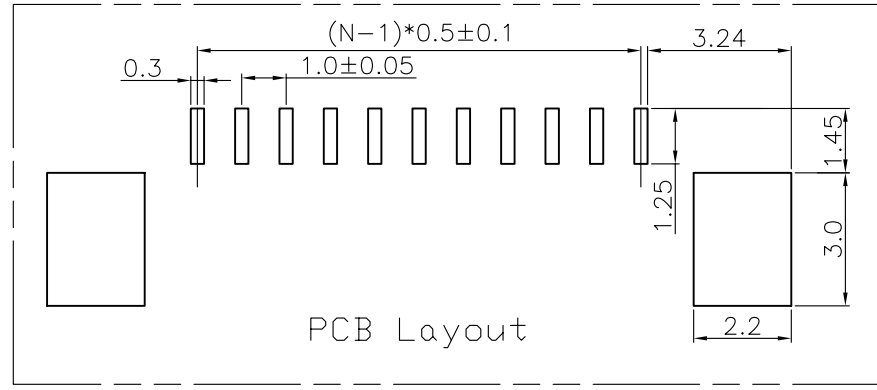
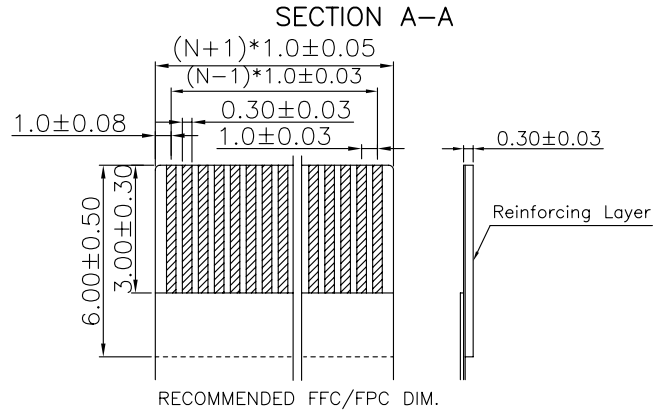
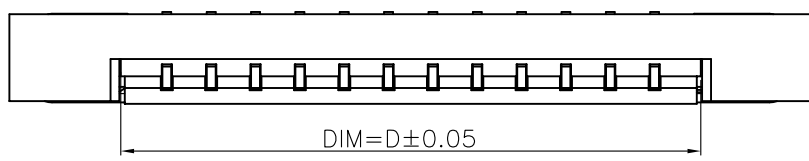


NOTES:  
 1.MATERIAL:  
 HOUSING:THERMOPLASTIC(UL94V-0)  
 ACTUATOR:THERMOPLASTIC(UL94V-0)  
 TERMINAL:PHOSPHOR BRONZE MATTE GOLD/TIN PLATED  
 FITTING NAIL:BRASS MATTE TIN PLATED  
 2.PART NO. SPECIFICATION: 21-037-XXXOX-5

DIMENSION				
NO.OF PIN	A	B	C	D
4	10.10	9.18	3.00	5.08
5	11.10	10.18	4.00	6.08
6	12.10	11.18	5.00	7.08
7	13.10	12.18	6.00	8.08
8	14.10	13.18	7.00	9.08
9	15.10	14.18	8.00	10.08
10	16.10	15.18	9.00	11.08
11	17.10	16.18	10.00	12.08
12	18.10	17.18	11.00	13.08
13	19.10	18.18	12.00	14.08
14	20.10	19.18	13.00	15.08
15	21.10	20.18	14.00	16.08
16	22.10	21.18	15.00	17.08
17	23.10	22.18	16.00	18.08
18	24.10	23.18	17.00	19.08
19	25.10	24.18	18.00	20.08
20	26.10	25.18	19.00	21.08
21	27.10	26.18	20.00	22.08
22	28.10	27.18	21.00	23.08
23	29.10	28.18	22.00	24.08
24	30.10	29.18	23.00	25.08
25	31.10	30.18	24.00	26.08
26	32.10	31.18	25.00	27.08
27	33.10	32.18	26.00	28.08
28	34.10	33.18	27.00	29.08
29	35.10	34.18	28.00	30.08
30	36.10	35.18	29.00	31.08



1:PLATING MATTE TIN (50-80u")  
 3: PLATING GOLD FLASH



宇詮實業有限公司  
 Onward Industry Co, Ltd.

SER	AREA	DESCRIPTION	CHK	DATE

UNLESS OTHERWISE SPECIFIED TOLERANCES ARE: .XX ±0.15 .XXX ±0.10 X.XXX ANG. ±0.30°	APPROVED BY _____ DATE _____	TITLE FPC CONN. 1.0P H2O SLIDE TYPE UPPER CONTACT
UNIT: mm	CHECKED BY _____ DATE _____	DRAWN BY _____ DATE _____
SIZE: A4	DRAWING NO. 21-037-XXXOX-5	REV. A
		SHEET 1/1
		SCALE 1:1
		PAGE 1