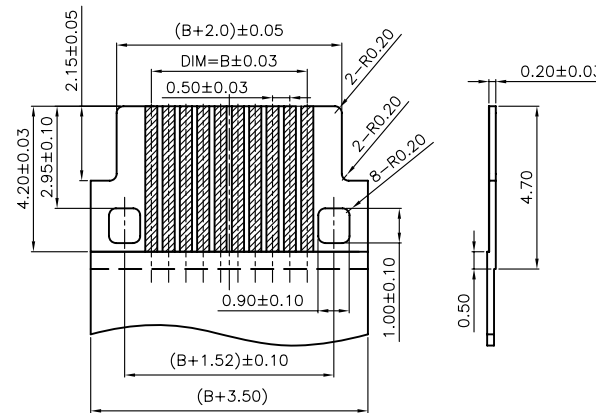
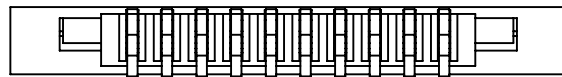
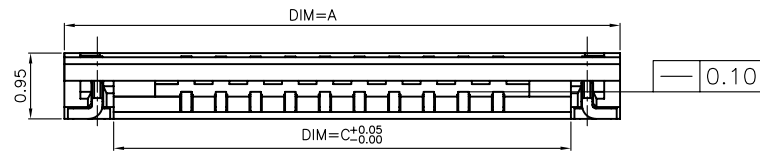
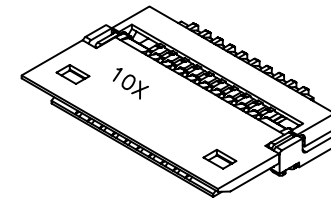


SCALE 4:1 SEC A-A

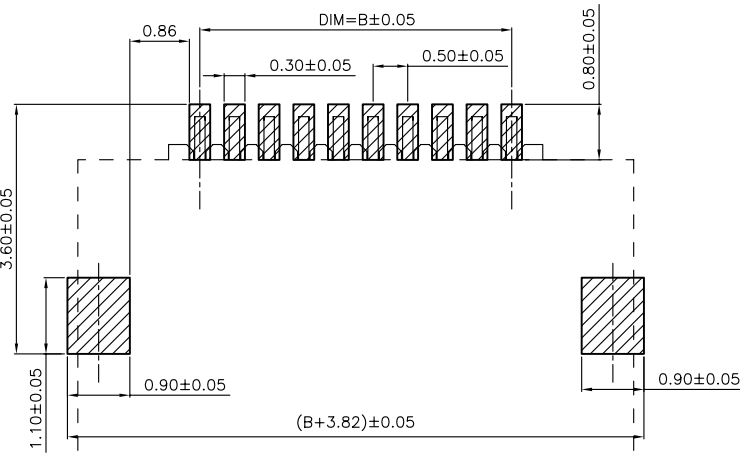
NOTES:

1. MATERIAL:

- HOUSING: THERMOPLASTIC (UL94V-0)
- ACTUATOR: THERMOPLASTIC (UL94V-0)
- TERMINAL: PHOSPHOR BRONZE GOLD PLATED
- FITTING NAIL: BRASS TIN PLATED



SCALE 0.5:1



PCB Layout

Dimension			
PIN数	A	B	C
10	8.02	4.50	6.60
12	9.02	5.50	7.60

宇詮實業有限公司
Onward Industry Co, Ltd.

				UNLESS OTHERWISE SPECIFIED TOLERANCES ARE X.X ±0.15 X.XX ±0.10 X.XXX ±0.30'				APPROVED BY		DATE		TITLE	
								CHECKED BY		DATE		FPC CONN. 0.5P H1.0 掀蓋式	
								DRAWN BY		DATE		DOCUMENT NO	
								UNIT		SIZE		PAGE	
								DRAWING NO		REV		SHEET	
								21-039-XXX33-5		A		1/1	
								SCALE				1/1	
SER	AREA	DESCRIPTION	CHK	DATE	UNIT	SIZE	DRAWING NO	REV	SHEET	SCALE	PAGE		
					MM	A4	21-039-XXX33-5	A	1/1	1/1	1		