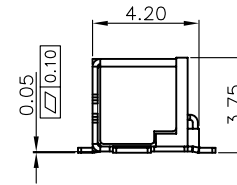
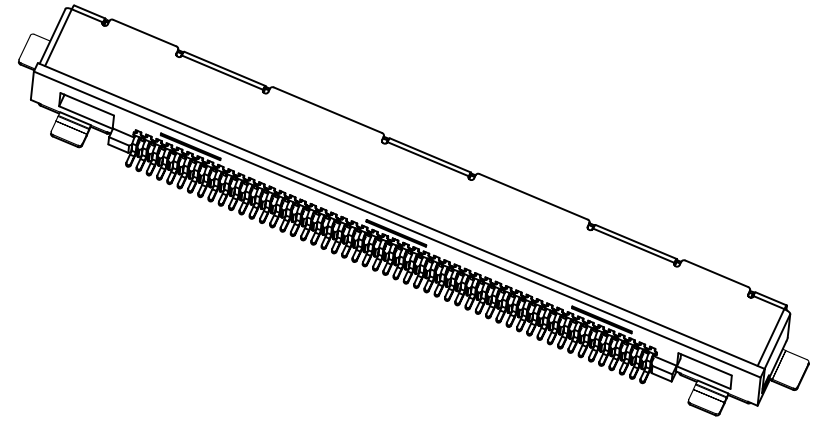


RECOMMEND P.C.B LAYOUT
SCALE 1:2



NOTES:

1. MATERIAL:

- 1.1 HOUSING: THERMOPLASTIC, HIGH TEMP. UL94V-0; COLOR:BLACK.
- 1.2 CONTACT: COPPER ALLOY,T=0.20.
- 1.3 SHELL:STAINLESS STEEL,T=0.20.

2. FINISH:

- 2.1 CONTACT:
UNDER PLATING: 50u" MIN. NICKEL OVERALL.
FINISH:Au 3u" MIN.
- 2.2 SHELL:
UNDER PLATING: 10~40u". NICKEL OVERALL.
FINISH: Tin 50u" Max.

宇詮實業有限公司
Onward Industry Co, Ltd.

					UNLESS OTHERWISE SPECIFIED TOLERANCES ARE XX ±0.20 XXX ±0.15 XXXX ±0.30' ANG. ±0.30'	APPROVED BY	DATE	TITLE		
						CHECKED BY	DATE	LVDS 51P PH0.5 SOCKET		
						DRAWN BY	DATE	DOCUMENT NO	PAGE 1	
SER	AREA	DESCRIPTION	CHK	DATE	UNIT MM	SIZE A4	DRAWING NO 21-071-05103-5	REV A	SHEET 1/1	SCALE 1:1